

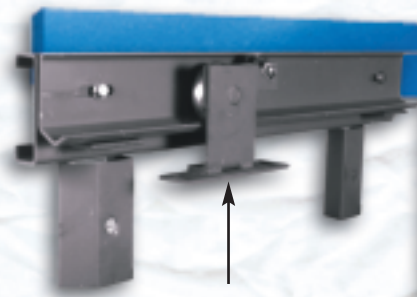
The Anatomy of: The Saino Model 50000 Casing Mounted Fire Door

Pre-Mounted System Provides a "Clean Look" and an Excellent Seal

Casing mounted design provides adequate spacing on both sides of panel to install surface mounted or mortised hardware for handicap access while allowing a portion of the weight of the door to be transferred to the floor. Standard features include 20 minute to 4 hour rating, low headroom track system, concealed binders and full perimeter gasketing. Pass door panic devices can be mortised for use on the wall side of fire door, allowing for double egress.

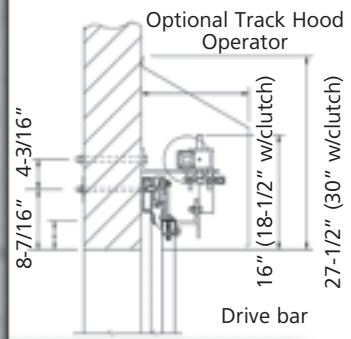


Track Hood for added aesthetic appeal.

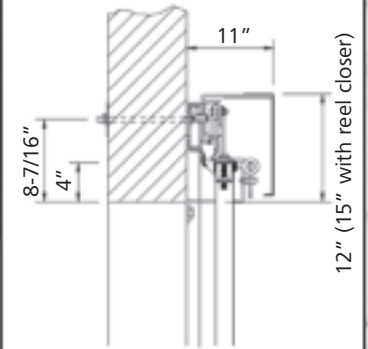


The STEL Track System is designed to provide years of trouble free service in high frequency use applications and is the best alternative for low headroom applications.

Model 50000 Track System with operator and hood



Model 50000 Track System with hood



Optional wired glass vision panels.

Pre-mounted casing system provides an excellent seal.

Heavy gauge perimeter channel encloses the panel and eliminates surface mounted fasteners providing superior aesthetic appeal.

12 gauge channel construction.

14 gauge perimeter capping channel.

Fiberglass core.

20 gauge welded face sheets are shipped prime painted with a high quality gray rust resistant paint. Optional finishes include galvanized, stainless steel or powder coated.

Visit our website for downloadable drawings and specs.

Applications

- Food Processing
- Industrial
- Institutional
- Pharmaceutical
- Warehouse
- Climate Control Manufacturing Areas

Environment

- Personnel
- Interior
- Exterior
- Loading Dock

Traffic

- Forklifts
- Motorized Pallets
- Pedestrian

Options

- 1900 Operator with Battery Back-up & Heat Detectors
- Pass Doors
- 450° Temperature Rise Label
- Monorail Cutout
- Locking Devices

 **Chase Doors**
World's Leading Manufacturer of Traffic Doors

