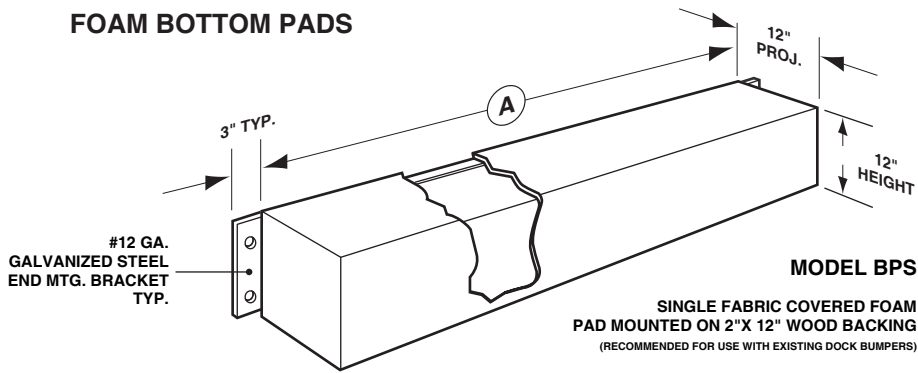


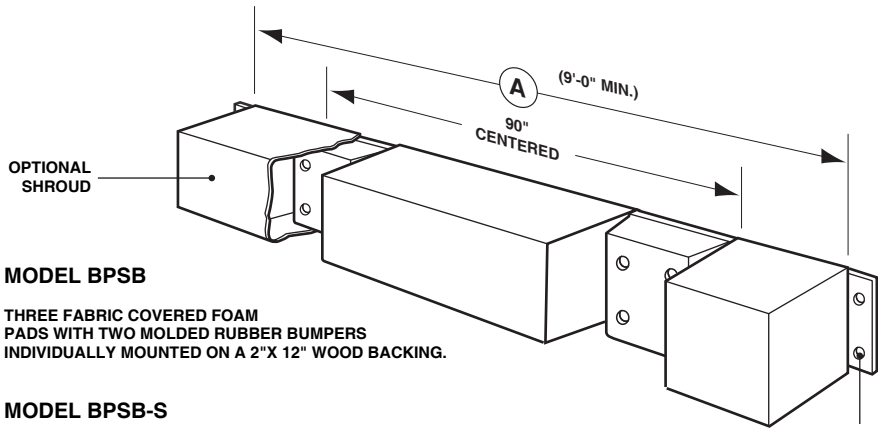
FOAM BOTTOM PADS



#12 GA. GALVANIZED STEEL END MTG. BRACKET TYP.

MODEL BPS

SINGLE FABRIC COVERED FOAM PAD MOUNTED ON 2"X 12" WOOD BACKING (RECOMMENDED FOR USE WITH EXISTING DOCK BUMPERS)



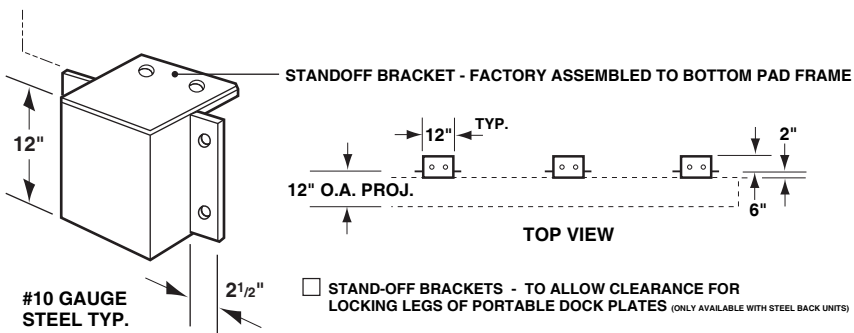
MODEL BPSB

THREE FABRIC COVERED FOAM PADS WITH TWO MOLDED RUBBER BUMPERS INDIVIDUALLY MOUNTED ON A 2"X 12" WOOD BACKING.

MODEL BPSB-S

SAME AS ABOVE WITH FULL COVER BLACK DYNALON SHROUD.

25/32" HOLE DIA. TYP.



STANDOFF BRACKET - FACTORY ASSEMBLED TO BOTTOM PAD FRAME

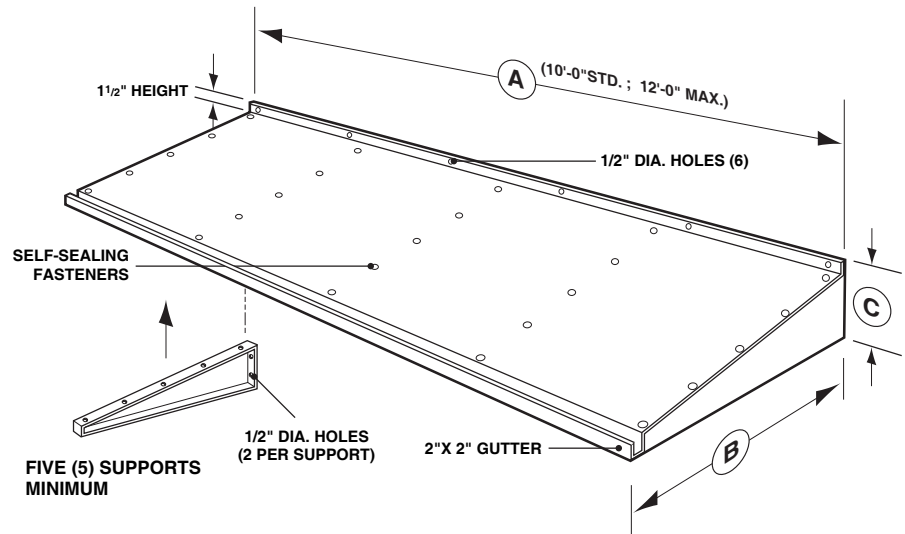
TOP VIEW

STAND-OFF BRACKETS - TO ALLOW CLEARANCE FOR LOCKING LEGS OF PORTABLE DOCK PLATES (ONLY AVAILABLE WITH STEEL BACK UNITS)

#10 GAUGE STEEL TYP.

OPTIONAL EQUIPMENT
ALL SERIES

METAL HOODS
(PRE-ASSEMBLED AT FACTORY)



	"A" WIDTH	"B" PROJ.	"C" HGT.	STEEL GAUGE NO.	WGT. AT 10' WIDTH
<input type="checkbox"/> MODEL MH1800	_____	18"	7"	18	52#
<input type="checkbox"/> MODEL MH2400	_____	24"	9"	16	84#
<input type="checkbox"/> MODEL MH3600	_____	36"	11"	14	152#

- MODEL BPS
- MODEL BPSB
- MODEL BPSB-S
- _____ "A" WIDTH
- BASE FABRIC**
- DYNALON
- 03 40 OZ. VINYL
- 02 40 OZ. HYPALON _____ COLOR
- OPTIONS**
- NON-ROT BACK
- FORMED STEEL BACK (PAINTED)

Fairborn[®]
FAIRBORN USA INC.
P.O. BOX 151 • 205 BROADVIEW STREET
UPPER SANDUSKY, OHIO 43351
800-262-1188 • 419-294-4987 • FAX: 419-294-4980
VISIT US AT... WWW.FAIRBORNUA.COM

JOB: _____

LOCATION: _____

CONTRACTOR: _____ ARCHITECT: _____

APPROVED BY SIGNATURE: _____