

FAST-FOLD[®] FREEZER

HIGH PERFORMANCE FOLDING DOOR

The First High-Speed Freezer Door and Still a Workhorse.

The Fast-Fold Freezer door gave birth to the idea of high-speed doors in cold storage environments. It was the first high performance door used in cooler and freezer applications. It combines speed with full-height visibility and the ability to take a hit. The door's time-tested durability and dependability make it the best selling high-speed door in the cold storage market.

Your choice of three different defrost systems assures your Fast-Fold Freezer door will remain virtually frost free, whatever the nature of your cold storage application.

Fast - Opens at up to 84 inches per second for improved traffic flow.

Safe - With its full height, clear PVC panels, the Fast-Fold Freezer provides great visibility and added safety for interior applications where fork trucks and other equipment are crossing the door's traffic lane, or both.

Energy Efficient - Insulated head and side frames with sealed panel assembly, combine with fast opening and closing speeds to reduce energy loss.

Frost Free - Three different defrost system options help reduce frost build-up.

Durable, Low Maintenance - Engineered to last millions of cycles with minimal maintenance.

Takes a Hit - Withstands fork truck impact with little or no damage, virtually eliminating door down time.



RYTEC
CORPORATION
Driving The Door Industry.SM

FAST-FOLD® FREEZER

HIGH PERFORMANCE FOLDING DOOR

Specifications: Subject to change

Model: Rytec® Fast-Fold® Freezer Door

Standard Size: Up to 12 feet wide and 16 feet high.

Door Panel: Four center panels are constructed of 3/8 inch thick, low temperature Puralon™, capable of withstanding temperatures as low as -40° F. Panels 1 and 6 are insulated. Four center panels are mounted on four center suspended rotor arms. Insulated center panels are optional.

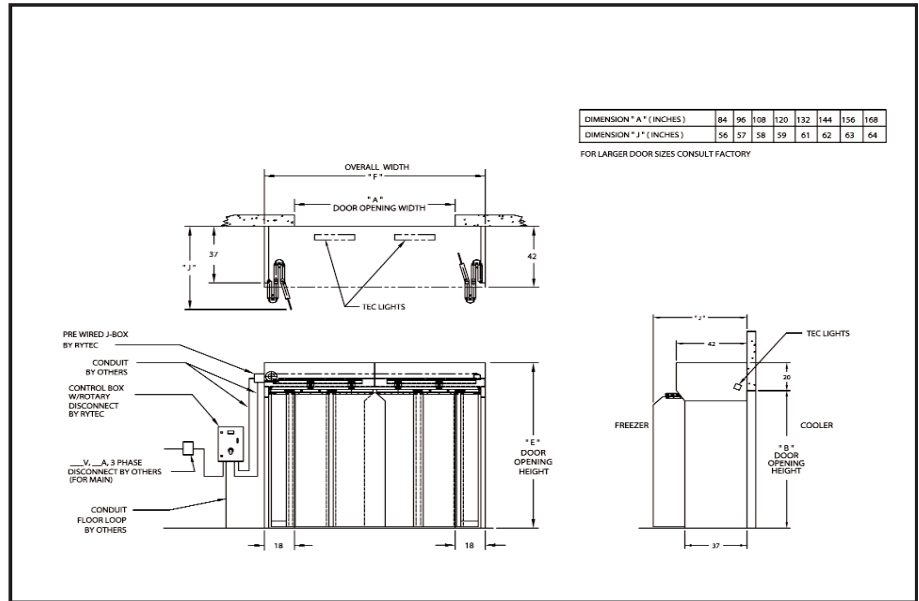
Side Frames: Side frames and covers made of 16 gauge galvanized sheet metal welded to structural angle. Exposed metal surfaces chemically cleaned then painted with a two component acrylic urethane top coat. Door is fully modular with no welding required for installation.

Door Seal: Inner door panels held together with Velcro® seams. Outer door panels are heat welded together.

Roller System: Door equipped with Tec-Trak™ I roller system with minimum of 16 model GS 1-7/8 inch Ryflex™ floating rollers. Roller assembly deflects up to 7° degrees in the vertical plane in order to maintain full roller surface bearing contact with track. Rollers are carburized, hardened and fully sealed with ball bearings. Optional BFGS roller available.

Roller Track: Roller track is constructed of cold-formed alloy steel, integrally-mounted to the face of a 6 inch structural channel.

Drive System: Three-phase, variable speed AC Drive provides soft acceleration and deceleration. Independent opening and closing speeds provide flexibility to accommodate any application. Motor and electrical components are factory wired to junction boxes in the head assembly.



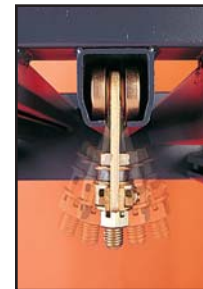
Travel Speed: Opens at up to 84 inches per second.

Defrost System: Three defrost systems available:

- Patented Tec-Light™ system
- Tec-Light™ with unheated blower
- 2-speed heated blower system

Electrical Controls: System 3® controller housed in a NEMA 4 rated enclosure with factory set parameters. Self-diagnostic features and a two-line, 32-character LCD display in English, Spanish or French provide quick and straight-forward installation and control adjustments. Programmable inputs and outputs accommodate special control requirements without the need for additional electrical components. Three-phase fused disconnect is standard.

Warranty: One year limited warranty on materials and workmanship. One year limited warranty on door track and roller system. Ten year warranty on door track and roller system with BFGS hardware.



Rollers

Ryflex floating rollers pivot up to 7° to continually maintain contact with the track, reducing wear and tear. Model GS (1-7/8 inch) roller standard. Options available.



Patented Tec-Light System

Three different defrost systems are available to satisfy the vast majority of freezer applications. The systems help minimize frost build-up and maintain full visibility.



One Cedar Parkway
 Jackson, WI 53037-0403
 Phone: 262-677-9046
 Fax: 262-677-2058
 Toll Free: 888-GO-RYTEC
 Email: info@rytecdors.com
 Web: www.rytecdors.com